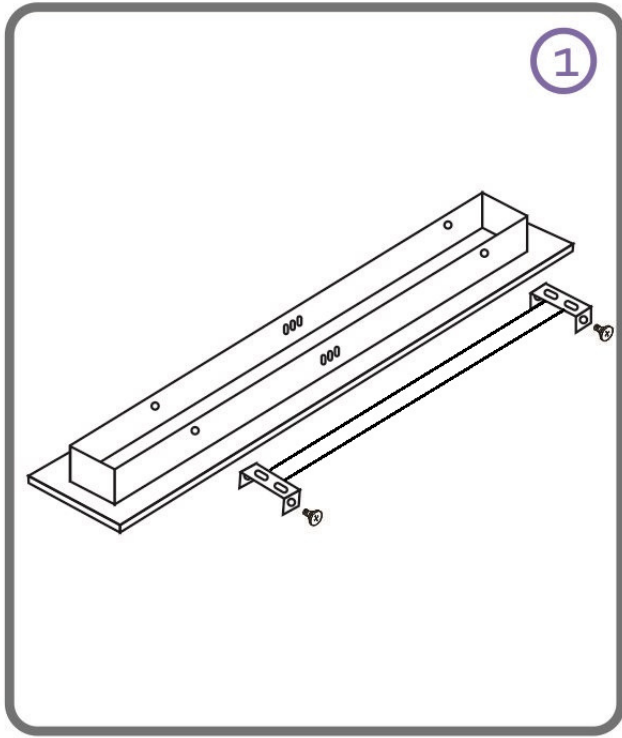
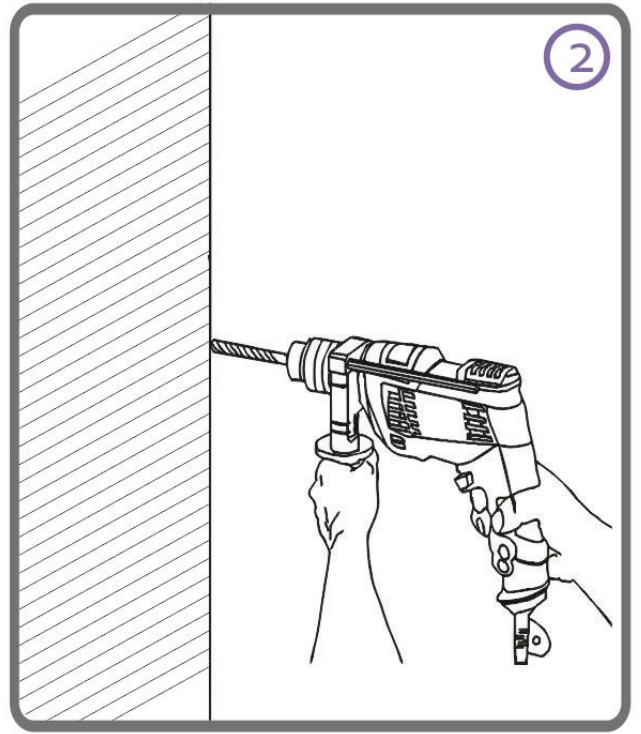


HAYLEN

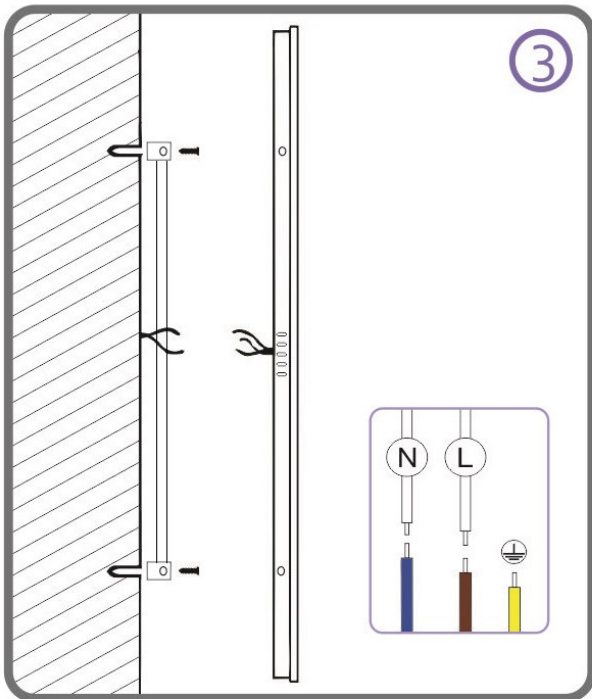
Installation Guide



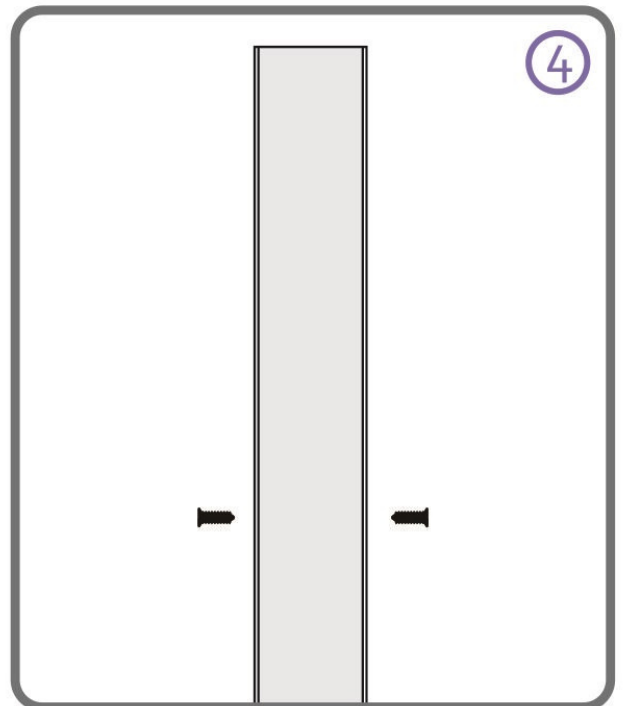
1. Take out all accessories and prepare to install



2. Drill holes on the wall and install mount bracket



3. Connect wires to power supply (Blue for N line, brown for L line)



4. Attach light to mount and tighten screws