

一. Installation Process.

- 1.1 Ensure all the power is cut off before the installation, drilling according to the hole of installation structure and the centre distance , and insert the ceiling stopple
- 1.2 Please set the power wires seperately to the L and N Pole of the terminal caps and earth wire and then to ensure all the connections are tight .
- 1.3 To fix up the lamp by bolt .
- 1.4 Fix up the lamps and lamp shade ,the lamp can be used when you make switch to the position of ON.
- 1.5 If you have no experience for the installing a chandelier or a wall lamp ,we suggest that you hire a professional to install it .

二. Warning

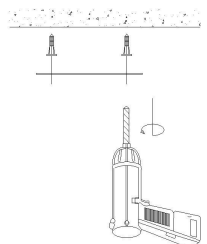
- 2.1 Please cut off the power until the cooling shade ,then to replace the source or to do maintenance,and to ensure a professional electrician to fix up .
- 2.2 When you want to install it on gypsum board,please evaluate the weight that the gypsum board can bear do not fix up at falling ceiling. or a chandelier that exceeds weight.
- 2.3 The Bag is not a toy,to avoid suffcation,keep away this bag from babies and Children.do not use it in cribs beds, carriages or players . knot this bag before throwing it away .

三. Product Maintenance

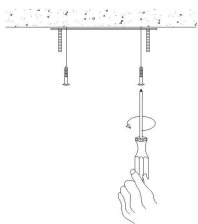
- 3.1 to wear the gloves during the installation process , and to avoid scratching .
- 3.2 Maintenance should be performed according to the material of the lamp body.if the fingerprint on the aluminum brushed lamp body, please wipe with Clear Water.
- 3.3 If the glass lampshade and crystal lamp shades are not shiny ,you can use small amount crystal cleaner to wipe it
- 3.4 Please do not use alcohol and ordinary detergent to wipe the lamp body of the electroplating process and the drawing process,which will cause corrosion.Can be treated with a small amount of water and car cleaner.

Remarks: This is a General instructions for pendant light and ceiling lamp

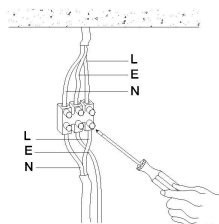
1.Positioning and punching Drilling matching installation holes on the ceiling then insert ceiling anchors



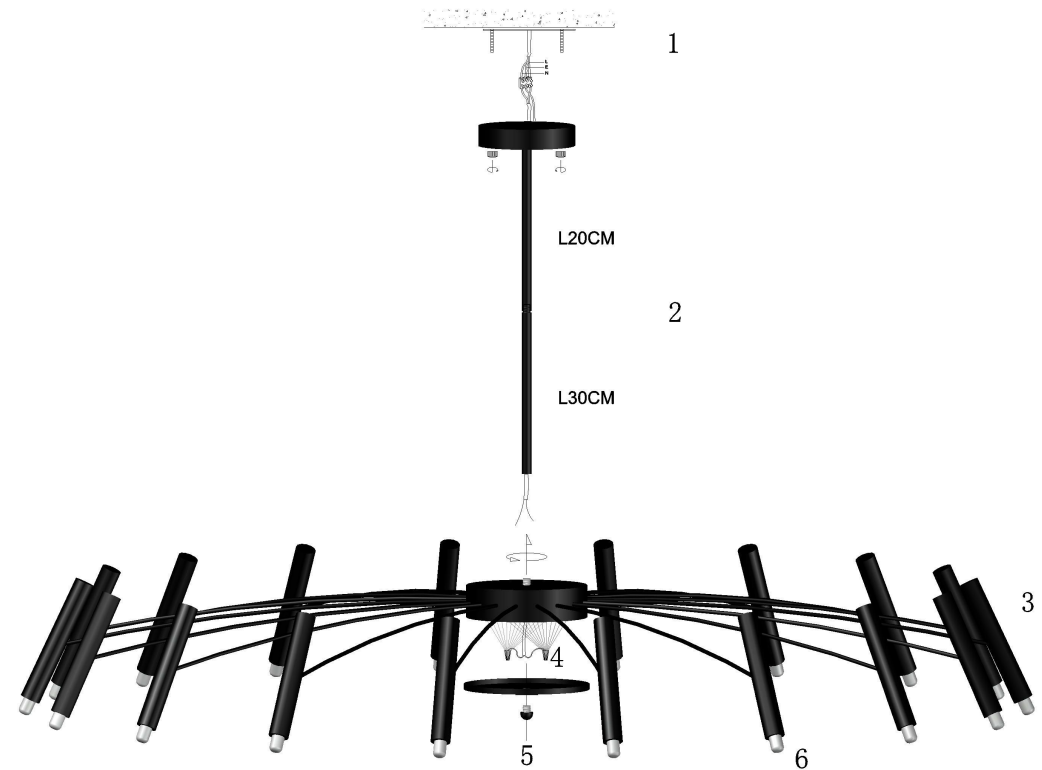
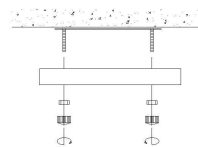
2.Fix the ceiling plate on the ceiling



3.Fix the power cord on terminal caps



4.Fix the lamp on plate with bolt



1-Fix the ceiling plate on the ceiling

2-Butt the middle pole with the top disc, Connect the main power cord, Fix it on the board with bolts (the middle pole has 20CM/30CM options, or use them together)

3-After fixing the lamp arm on the main body, butt with the middle pole

4-The blue wires are all connected in parallel, and the brown wires are all connected in parallel. Connect the main power cord

5-Install the bottom cover

6-Install the G9 light source and test the electricity